

A15.2603

Polarizing Microscope, Transmit



Product Details



Seidentopf Head

Inclined 30°, Rotatable 360°, Interpupillary Distance 48-75mm, High Eyepoint Eyepiece, Which Is Convenient For People With Different Sitting Height; The Integrated Design Of The Eyepiece Lens Barrel, Avoids The Loss And Contamination Of The Eyepiece And Enhances The Integrated Performance Of The Microscope

Polarizing Unit

Analyzer Media Unit 0~90° Adjustable, Between Head And Body With Compensator Slide, Quartz Wedge Slide, Polarizer Lens



Quadruple, Backward

4 Sets Objective Available: Achromatic, Plan, Infinity E-Plan, Infinity Plan.



Double Slide Holder Working Stage

Mechanical Stage Size: 145 mm×140mm, Travel: 76mmX52mm, Scale: 0.1mm



Condenser & Light Source

Abbe Condenser N.A.1.25, Iris Diaphragm, Rack & Pinion Up/Down, With Filter Holder

3W-LED Illumination Systems



Coaxial Coarse & Fine Focusing



Wire Winding Device



Holding Hole On Back



Powered By Safety Low Voltage Charger

Input Wide Voltage 100V-240V, Output 5V1A, Support Power Bank Supply For Outdoor Use

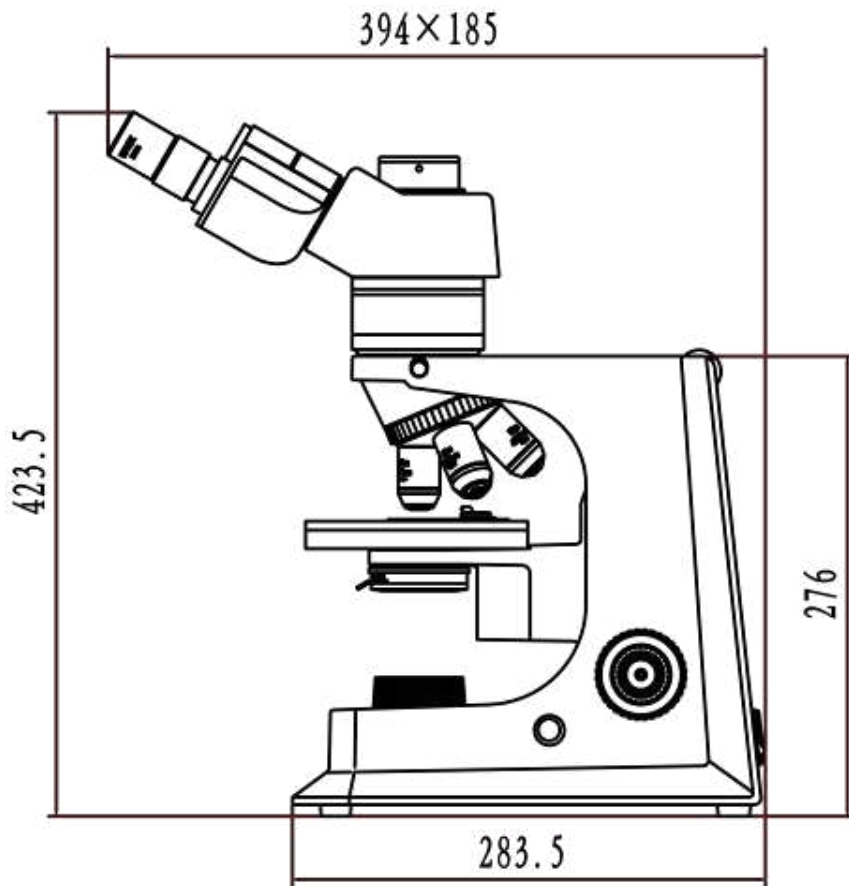


Product Specification

| Items | A15.2603 Transmit Polarizing Microscope Specification | A | B | Cata. No. |
|------------------------------------|--|---|---|-----------------|
| Head | Seidentopf Binocular Head Inclined 30°, Eyetube Rotatable 360°, Interpupillary Distance 48-75mm | ● | ○ | A53.2621-B |
| | Seidentopf Trinocular Head Inclined 30°, Eyetube Rotatable 360°, Interpupillary Distance 48-75mm, , Light Split Fixed P20:E80 | ○ | ● | A53.2621-T |
| Eyepiece | WF10x/20mm, High Eyepoint, | ● | ● | A51.2602-1018 |
| | WF10x/20mm, With Micrometer X-0.1mm*180 Div / Y-Single Line, Diopter Adjustable | ● | ● | A51.2605-1018D |
| Nosepiece | Quadruple, Backward | ● | ● | A54.2610-N08 |
| Infinity Plan Objective | PLAN 2x/0.10, W.D.=12.1mm | ● | ● | A52.2606-2 |
| Non-Stress Infinity Plan Objective | PLAN 4x/0.10, W.D.=12.1mm | ● | ● | A5P.2630-4 |
| | PLAN 10x/0.25,W.D.=4.64mm | ● | ● | A5P.2630-10 |
| | PLAN 20x/0.40(S),W.D.=2.41mm | ● | ● | A5P.2630-20 |
| | PLAN 40x/0.66(S),W.D.=0.65mm | ● | ● | A5P.2630-40 |
| Working Stage | PLAN 60x/0.80(S),W.D.=0.33mm | ● | ● | A5P.2630-60 |
| | Round Stage Diameter Φ142mm, Rotatable 360°, Division 1', Vernier Division 6', Can Be Locked, Center Adjustable | ● | ● | A54.2602-S03 |
| | Attachable Mechanical Stage For Polaring Microscope, Moving Range 40x40mm | ○ | ○ | A5P.2616 |
| | Attachable Mechanical Stage For Polaring Microscope, Moving Range 30x45mm, Lecia Type, Avoid Hitting Objective Lens | ○ | ○ | A5P.2616-LK |
| Condenser | Non-Stress Abbe N.A.1.25, Iris Diaphragm, Center Adjustable With Polarizer Lens In Bottom | ● | ● | A56.2614-P6 |
| Polarizing Unit | Analyzer Media Unit 0~90° Adjustable, Between Head And Body, With Built-in Bertrand Lens, Removeable Out of Optical Path For Single Polarizing Observe | ● | ● | A5P.2621-S |
| | Compensator Slide, 3 Holes, With λ Slip (First Class Red) + 1/4λ Slip. | ● | ● | A5P.2613-22a |
| | Quartz Wedge Slide (I-IV Class) | ● | ● | A5P.2615-17 |
| | Polarizer Lens, Bulit-in Bottom Part Of Condenser, Removeable Out of Optical Path | ● | ● | A5P.2610-S |
| Transmit Illumination | 5W LED Lamp Powered By Safety Low Voltage Charger, Input Wide Voltage 100V-240V, Output 5V1A, Support Power Bank Supply For Outdoor Use | ● | ● | A56.2650-5WLED |
| | 6V/30W Halogen Lamp | ○ | ○ | A56.2650-6V30WH |
| Filter | Dia.45mm, Blue (Built in) | ○ | ○ | A56.2616-45B |
| | Dia.45mm, Green | ○ | ○ | A56.2616-45G |
| | Dia.45mm, Yellow | ○ | ○ | A56.2616-45A |
| | Dia.45mm, Neutral | ○ | ○ | A56.2616-45N |
| Adapter | C-Mount 0.5x, Focus Adjustable | ○ | ○ | A55.2601-05 |
| | C-Mount 0.75x, Focus Adjustable | ○ | ○ | A55.2601-75 |
| | C-Mount1.0x, Focus Adjustable | ○ | ○ | A55.2601-10 |
| | Digital Eyepiece Camera Adapter, Dia. 23.2mm/25mm | ○ | ○ | A55.2610 |
| Package | Carton Size 570×275×450mm, 1 Unit/Ctn | | | |
| Weight | Gross Weight: 8.6 kgs, Net Weight: 7.5 kgs | | | |

Note: "●"In Table Is Standard outfits, "○" Is Optional Accessories.

Product Size(mm)



Product Multi-angle



Product Accessories



A55.2601-05
C-Mount 0.5x
Focus
Adjustable



A55.2601-75
C-Mount 0.75x
Focus
Adjustable



A55.2601-10
C-Mount 1.0x
Focus
Adjustable



A55.2610
Digital Eyepiece
Camera Adapter
Dia. 23.2mm/25mm



A5P.2616-LK Attachable Mechanical
Stage, Lecia Type



A5P.2616 Attachable Polarizing
Mechanical Stage, Moving Range 40x40mm

